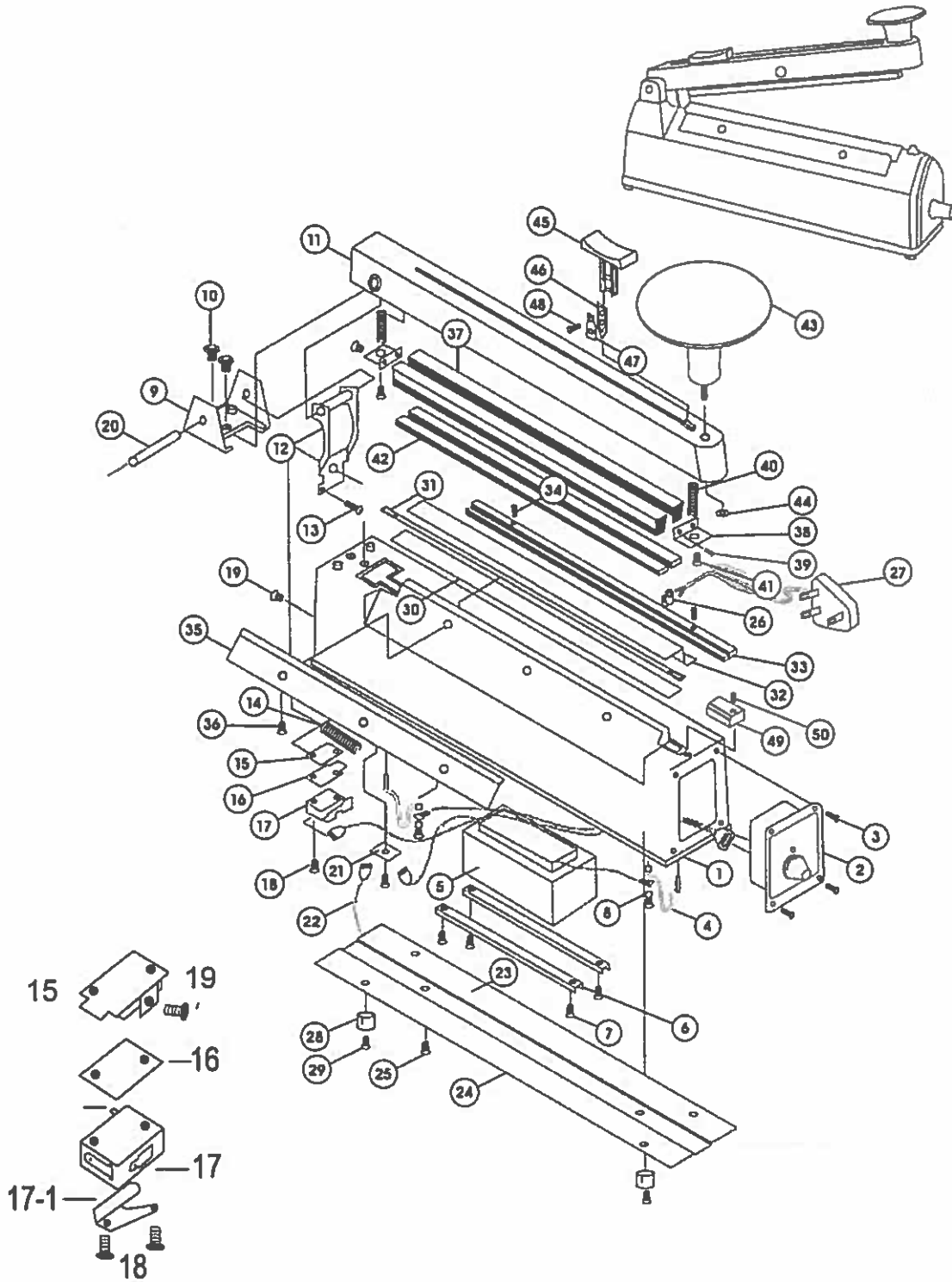


■ KF Hand Sealers w/ Cutter
(200HC, 205HC, 300HC, 305HC, 400HC, 405HC, 500, 505HC)
Spare Parts DIAGRAM



■ KF Hand Sealers w/ Cutter

(200HC, 205HC, 300HC, 305HC, 400HC, 405HC, 500, 505HC)

Spare Parts DIAGRAM

KF HAND SEALER W/ CUTTER			
No.	Description	No.	Description
1	Body	25	Earth Wire Screw
2	Timer	26	Bushing
3	Screw	27	Power Cord
4	Bow Spring	28	Rubber Foot w/screw
4a	Healer Terminal Assembly	29	Rubber Foot Screw
5	Transformer	30	Lower Teflon Adhesive
6	Transformer Bracket	31	Heating Element
7	Screw	32	Upper Teflon
7-1	Spring Washer	33	Teflon Plate
8	Plastic Washer Convex Bakelite	34	Teflon Plate Screw
9	Hinge Bracket	35	Teflon Fixed Plate
10	Screw / Hexagon Nut	36	Teflon Fixed Plate Screw
11	Arm	37	Silicone Rubber Holder
12	Arm Operating Bracket	38	Sealing Bar Fixed Bracket
13	Microswitch Adjusting Screw	39	Sealing Bar Fixed Bracket Screw
14	Arm Return Spring	40	Sealing Bar Return Spring
15	Microswitch Bracket	41	Sealing Bar Return Spring Screw
16	Insulated Plate	42	Silicone Rubber
17	Microswitch	43	Handle Knob with Screw attached
17-1	Microswitch Spring Plate	44	Handle Knob Washer
18	Microswitch Assembled Screw	45	Blade Holder
19	Microswitch Fixed Screw	45a	Blade Holder with Blade
20	Hinge Pin	46	Cutter Blade
21	Wire Connector	47	Blade Fixed Plate
22	Earth Wire	48	Blade Fixed Screw
23	Earth Wire Nut Washer	49	Heating Element Cover
24	Base Plate	50	Heating Element Cover Screw